

MDT Switch Actuator 4/8/12-fold, MDRC

Version		
AKI-0416.03	Switch Actuator 4-fold	4SU MDRC, 230VAC, 16/20A, C-Load 200uF
AKI-0816.03	Switch Actuator 8-fold	8SU MDRC, 230VAC, 16/20A, C-Load 200uF
AKI-1216.03	Switch Actuator 12-fold	12SU MDRC, 230VAC, 16/20A, C-Load 200uF

The MDT Switch Actuator receives KNX/EIB telegrams and switches up to 12 independent electrical loads. Each output uses a bistable relay and can be operated manually via a push button. A green LED indicates the switching status of each channel. The MDT Switch Actuator is suitable for extreme high inrush currents and used for heavy loads (C-Load).

The outputs are parameterized individually via ETS. The device provides extensive functions like logical operation, status response, block functions, central function, delay functions and staircase lighting function. Additionally the device provides several time and scene control. If the mains voltage fails, all outputs hold their current position. After bus voltage failure or recovery the relay position is selected in dependence on the parameterization.

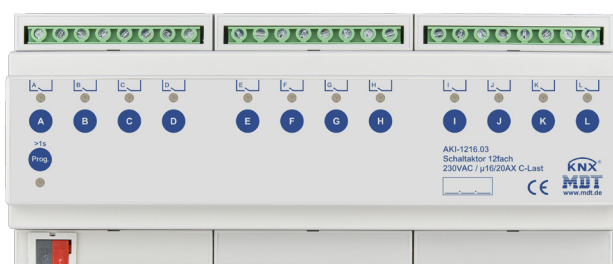
The MDT Switch Actuator has separate power supply terminals for each channel. It is a modular installation device for fixed installation in dry rooms. It fits on DIN 35mm rails in power distribution boards or closed compact boxes.

For project design and commissioning of the MDT Switch Actuator it is recommended to use the ETS or later. Please download the application software at www.mdt.de/Downloads.html

AKI-0816.03



AKI-1216.03

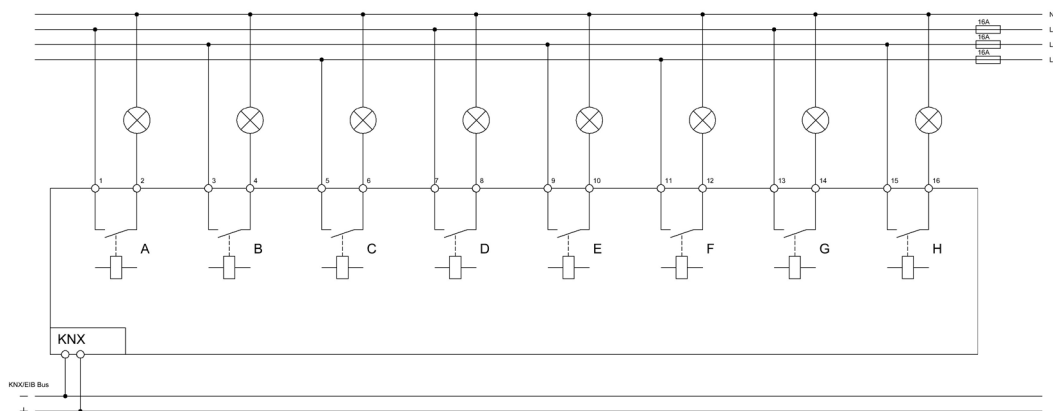


- Production in Germany, certified according to ISO 9001
- **Extensive function extension**
- **Lockable manual operation and LED indicator for each channel**
- NO and NC contact operation
- Status response at manually operation
- Time functions (switch-on/switch-off delay)
- Extensive staircase light and impulse functions
- Extended logical and scene functions for each channel
- Extended status functions (inverted, cyclic, at block)
- **Threshold switch (Byte/2Byte/2Byte float)**
- **Hour meter for switching**
- **Priority/forced operation with automatic release time**
- Separate power supply terminals for each channel
- Power supply via KNX bus
- Modular installation device for DIN 35mm rails
- Integrated bus coupling unit
- 3 years warranty

Technical Data	AKI-0416.03	AKI-0816.03	AKI-1216.03
Number of outputs	4	8	12
Output switching ratings			
Ohmic load	16A/20A*	16A/20A*	16A/20A*
Capacitive load	max. 200uF at 16A	max. 200uF at 16A	max. 200uF at 16A
Voltage	230VAC	230VAC	230VAC
Maximum inrush current	600A/150µs 300A/600µs	600A/150µs 300A/600µs	600A/150µs 300A/600µs
Maximum load			
Incandescent lamps	3680W	3680W	3680W
Halogen lamps 230V	3680W	3680W	3680W
Halogen lamps, electronic transformer**	2500W	2500W	2500W
Fluorescent lamps, not compensated	3680W	3680W	3680W
Fluorescent lamps, parallel comp.	2500W	2500W	2500W
Max. number of electronic transformers	28	28	28
Output life expectancy (mechanical)	1.000.000	1.000.000	1.000.000
Specification KNX Interface	TP-256	TP-256	TP-256
Available application software	ETS 3/4/5	ETS 3/4/5	ETS 3/4/5
Permitted wire gauge			
Screw terminal	0,5 - 4,0mm ² solid core 0,5 - 2,5mm ² finely stranded	0,5 - 4,0mm ² solid core 0,5 - 2,5mm ² finely stranded	0,5 - 4,0mm ² solid core 0,5 - 2,5mm ² finely stranded
KNX busconnection terminal	0,8mm Ø, solid core	0,8mm Ø, solid core	0,8mm Ø, solid core
Power supply	KNX bus	KNX bus	230VAC/50Hz
Power consumption KNX bus typ.	< 0,25W	< 0,25W	< 0,15W
Operation temperature range	0 to + 45°C	0 to + 45°C	0 to + 45°C
Enclosure	IP 20	IP 20	IP 20
Dimensions MDRC (Space Units)	4SU	8SU	12SU

* total current carrying capacity neighbouring outputs max. 32 A
 ** low voltage halogen lamps with electronic transformer

Exemplary circuit diagram AKI-0816.03



Note: AKI/AKS 08/12: Power supply 230VAC, from Q3 2012 via KNX Bus.